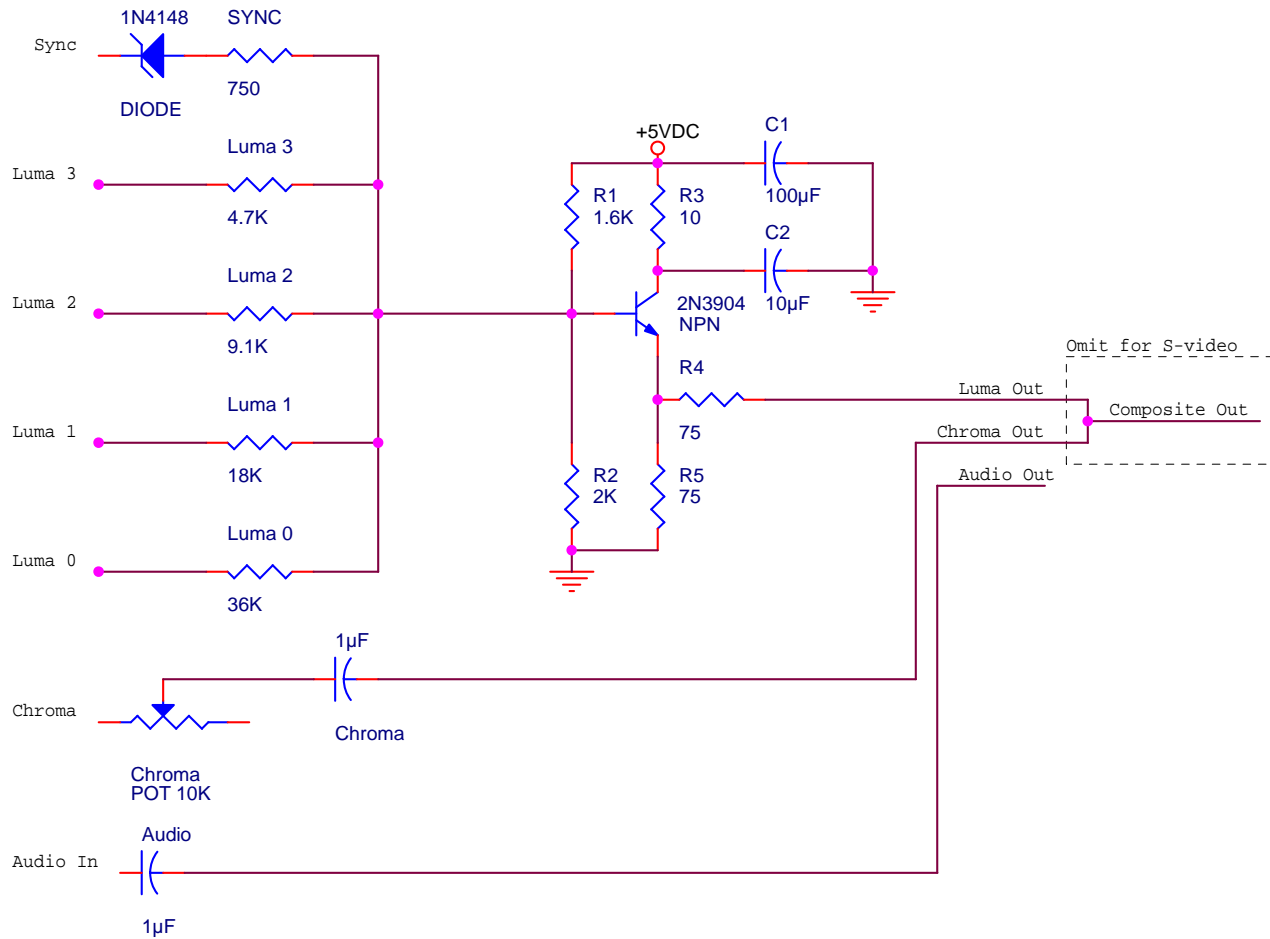


Notes: Adjust Chroma trim pot to reduce visible noise in signal.  
 5% Carbon Film Resistors  
 Tie Luma and Chroma together for composite out.

Parts List

Reference	Value
Diode	1N4148
NPN	2N3904
SYNC	750 Ohms
Luma 3	4.7K Ohms
Luma 2	9.1K Ohms
Luma 1	18K Ohms
Luma 0	36K Ohms
R1	1.6K Ohms
R2	2K Ohms
R3	10 Ohms
R4	75 Ohms
R5	75 Ohms
Chroma Pot	10K Ohm 20 Turn
C1	100µF
C2	10µF
Audio	1µF



Note: Schematic Compiled From:  
[http://www.gamesx.com/wiki/doku.php?id=av:5200\\_s-video\\_mod](http://www.gamesx.com/wiki/doku.php?id=av:5200_s-video_mod)

<a href="http://retrogame.cyberphreak.com/atari-5200">http://retrogame.cyberphreak.com/atari-5200</a>		
Title Atari 5200 Video Out		
Size A	Document Number 06052017-DRN1	Rev A
Date: Monday, June 05, 2017	Sheet 1	of 1