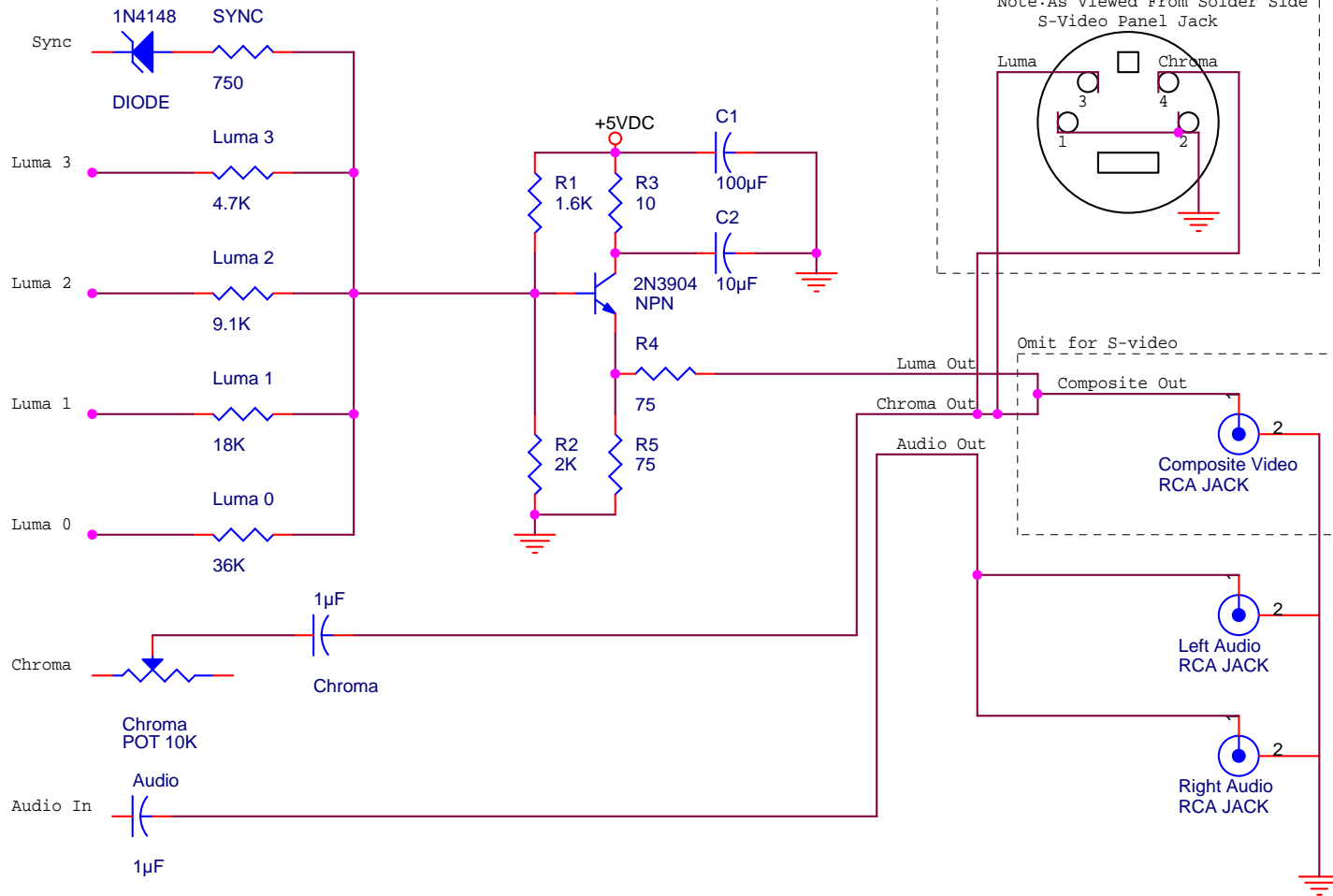


Notes: Adjust Chroma trim pot to reduce visible noise in signal.  
 5% Carbon Film Resistors  
 Tie Luma and Chroma together for composite out.



Parts List

Reference	Value
Diode	1N4148
NPN	2N3904
SYNC	750 Ohms
Luma 3	4.7K Ohms
Luma 2	9.1K Ohms
Luma 1	18K Ohms
Luma 0	36K Ohms
R1	1.6K Ohms
R2	2K Ohms
R3	10 Ohms
R4	75 Ohms
R5	75 Ohms
Chroma Pot	10K Ohm 20 Turn
Chroma	1µF
C1	100µF
C2	10µF
Audio	1µF

Note: Schematic Compiled From:

[http://www.gamesx.com/wiki/doku.php?id=av:5200\\_s-video\\_mod](http://www.gamesx.com/wiki/doku.php?id=av:5200_s-video_mod)  
<http://atariage.com/forums/topic/193474-better-atari-5200-s-video-mod/>  
<http://retrogame.cyberphreak.com/atari-5200>

Title		
Atari 5200 Video Out		
Size	Document Number	Rev
A	06052017-DRN1	B
Date:	Tuesday, June 06, 2017	Sheet 1 of 1